










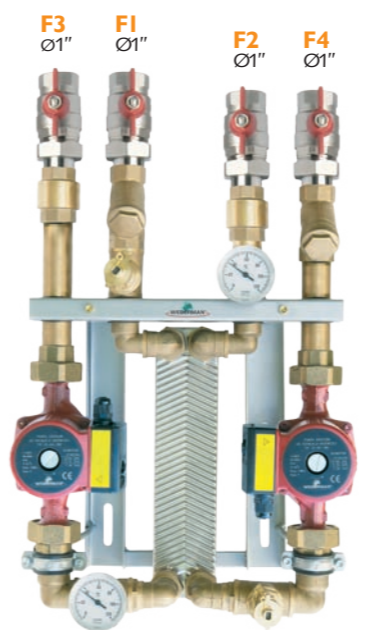


CENNIK
TECHNIKA
GRZEWICZA
WEBERMAN
NOWOSCI
2009



| produkt | parametry | symbol | cena netto |
|---|--|-----------------|---------------|
|  <p>Zestaw mieszający 1" z zaworem 3-drogowym, pompą 25-40</p> <p>Zestaw zawiera:</p> <ul style="list-style-type: none"> • pompę obiegową Weberman 25-40 180 • zawór 3-drogowy mosiężny 1" z pokrętkiem • filtr osadnikowy Ferro 1" • termometry tarczowe Cewal • zawory kulowe ze śrubunkiem 1" Ferro | - | ZM32X40Z | 680,00 |
|  <p>Zestaw z pompą 25-60, zaworem różnicowym 1"</p> | - | ZR1X60Z | 460,00 |
|  <p>Zestaw z pompą 25-60, zaworem różnicowym 5/4"</p> | - | ZR2X60Z | 490,00 |
|  <p>Zestaw z pompą 25-60, zaworem różnicowym 6/4"</p> | - | ZR3X60Z | 510,00 |
|  <p>Zawór 3-drogowy mieszający Rp3/4"- Kv 6.0</p> | - | ZM31 | 140,00 |
|  <p>Zawór 3-drogowy mieszający Rp1"- Kv 8.0</p> | - | ZM32 | 150,00 |
|  <p>Siłownik elektryczny do zaworów ZM</p> | Zasilanie: 230V - 50Hz Pobór mocy: 2,5W Przewód: 1,5m - 3x0,5mm ² | SE230 | 390,00 |

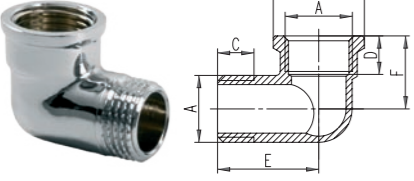
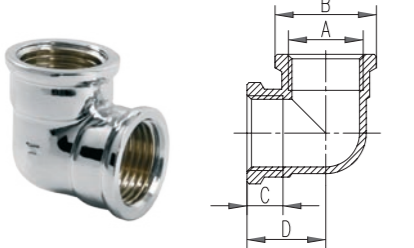
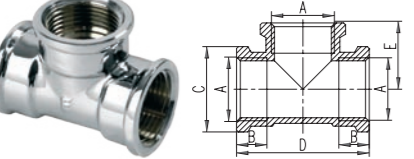
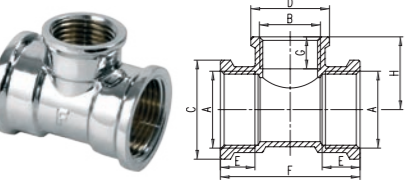
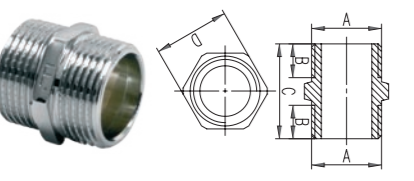
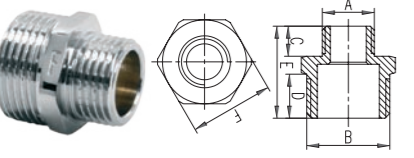
Weberman

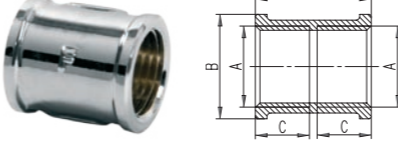
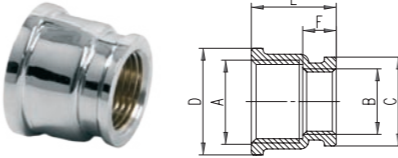
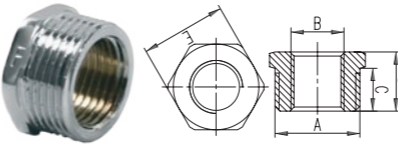
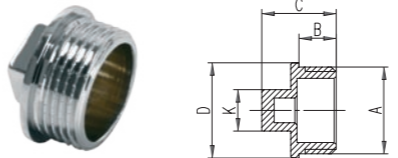
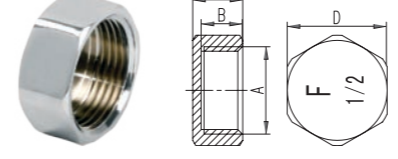
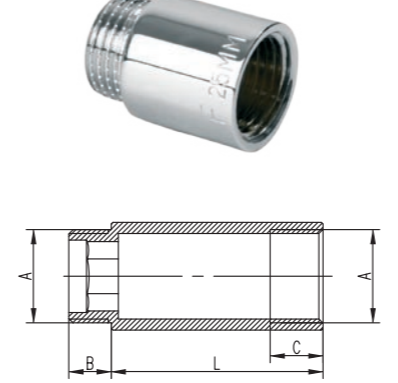
zestawy pompowe i wymienniki

| produkt | zakres mocy [kW] | zakres temperatur [°C] s. źródła ciepła s. instalacji | symbol | cena netto | | |
|---|---|---|-------------------------|------------------|-----------------|---------------|
|  <p>Zestaw wymiennikowo-pompowy z izolacją termiczną</p> | 10-15 | 25-60 180 | IC8x1060Z | 1 564,00 | | |
| | 15-25 | | IC8x2060Z | 1 785,00 | | |
| | 25-30 | | IC8x2460Z | 1 911,00 | | |
| | 35-45 | 25-60 180 | IC8x3060Z | 2 005,00 | | |
| | 10-15 | | IC8x1040Z | 1 543,00 | | |
| | 15-25 | | IC8x2040Z | 1 764,00 | | |
| | 25-30 | 25-40 180 | IC8x2440Z | 1 879,00 | | |
| | 35-45 | 90/70 85/65 80/60 | 50/70 45/65 40/60 | IC8x3040Z | 1 974,00 | |
| | 10-15 | 25-60 180 | IC8x106040Z | 1 554,00 | | |
| | 15-25 | | IC8x206040Z | 1 774,00 | | |
| | 25-30 | | IC8x246040Z | 1 890,00 | | |
| | 35-45 | 25-40 180 | IC8x306040Z | 1 984,00 | | |
| | 10-15 | - | IC8x10Z | 1 290,00 | | |
| | 15-25 | | IC8x20Z | 1 490,00 | | |
| | 25-30 | | IC8x24Z | 1 620,00 | | |
| 35-45 | IC8x30Z | 1 740,00 | | | | |
|  <p>Wymienniki z izolacją do instalacji z termokominkiem lub kotłem na paliwo stałe</p> | 10-15 | 90/70; 85/65; 80/60 | 50/70 45/65 40/60 | IC8THx10 | 483,00 | |
| | 15-25 | 90/70; 85/65; 80/60 | 50/70 45/65 40/60 | IC8THx20 | 672,00 | |
| | 25-30 | 90/70; 85/65; 80/60 | 50/70 45/65 40/60 | IC8THx24 | 798,00 | |
| | 35-45 | 90/70; 85/65; 80/60 | 50/70 45/65 40/60 | IC8THx30 | 871,00 | |
| |  <p>Wymienniki z izolacją do instalacji solarnych zawierających 40% glikolu propylenowego</p> | 4 | 80/40 | 30/65 | IC8THx20 | 672,00 |
| | | 8 | 80/40 | 30/65 | IC8THx24 | 798,00 |
| | | 12 | 80/40 | 30/65 | IC8THx30 | 871,00 |

IZOLACJA GRATIS

IZOLACJA GRATIS

| | | produkt | A | Bø[mm] | Cø[mm] | D[mm] | E[mm] | F[mm] | G[mm] | H[mm] | symbol | cena netto |
|---|-----------------------------|---------|------|--------|--------|-------|-------|-------|-------|-------|--------|------------|
|  | Kolanko nakrętno-wkrętne | G3/8 | 22,5 | 9 | 8,5 | 24,5 | 17 | - | - | - | K09C | 4,40 |
| | | G1/2 | 27 | 10,5 | 11 | 29 | 22 | - | - | - | K12C | 5,50 |
| | | G3/4 | 34 | 12,5 | 13 | 33,5 | 28 | - | - | - | K10C | 8,30 |
|  | Kolanko nakrętno-nakrętne | G3/8 | 22,5 | 8,5 | 17,5 | - | - | - | - | - | K02C | 4,00 |
| | | G1/2 | 27 | 11 | 22 | - | - | - | - | - | K03C | 5,00 |
| | | G3/4 | 34 | 13,5 | 28 | - | - | - | - | - | K04C | 8,00 |
|  | Trójnik | G3/8 | 8,5 | 22,5 | 35 | 17,5 | - | - | - | - | T01C | 4,40 |
| | | G1/2 | 11 | 27 | 44 | 22 | - | - | - | - | T02C | 6,50 |
| | | G3/4 | 13,5 | 34 | 56 | 28 | - | - | - | - | T03C | 12,00 |
|  | Trójnik nakrętny redukcyjny | G3/4 | G1/2 | 34 | 27 | 13 | 28 | 11 | 25 | - | T08C | 9,20 |
|  | Nypel | G3/8 | 9 | 22,5 | 18 | - | - | - | - | - | N02C | 2,00 |
| | | G1/2 | 10,5 | 25,5 | 23 | - | - | - | - | - | N03C | 2,80 |
| | | G3/4 | 12 | 29 | 28 | - | - | - | - | - | N04C | 3,80 |
|  | Nypel redukcyjny | G1/4 | G1/2 | 7,5 | 11 | 23 | 21 | - | - | - | N09C | 2,20 |
| | | G3/8 | G1/2 | 9 | 11 | 24,5 | 21 | - | - | - | N11C | 2,60 |
| | | G1/2 | G3/4 | 11,5 | 12,5 | 29 | 26,5 | - | - | - | N10C | 3,50 |

| | | produkt | A | Bø[mm] | Cø[mm] | Dø[mm] | E[mm] | F[mm] | K[mm] | L[mm] | symbol | cena netto | |
|---|-----------------|---------|------|--------|--------|--------|-------|-------|-------|-------|--------|------------|------|
|  | Mufa | G3/8 | 22,5 | 12 | 25 | - | - | - | - | - | M01C | 3,00 | |
| | | G1/2 | 27 | 14 | 30 | - | - | - | - | - | M02C | 3,90 | |
| | | G3/4 | 34 | 16 | 34 | - | - | - | - | - | M03C | 5,00 | |
|  | Mufa redukcyjna | G1/2 | G3/8 | 22,5 | 27 | 21,50 | 8,5 | - | - | - | M08C | 3,00 | |
| | | G3/4 | G1/2 | 27 | 34 | 26 | 11,5 | - | - | - | M09C | 4,50 | |
|  | Redukcja | G1/2 | G1/4 | 10,5 | 14,5 | 21 | - | - | - | - | R01C | 2,40 | |
| | | G1/2 | G3/8 | 10,5 | 14,5 | 21 | - | - | - | - | R02C | 1,80 | |
| | | G3/4 | G1/2 | 11 | 16 | 26,5 | - | - | - | - | - | R03C | 2,80 |
|  | Korek | G1/2 | 9 | 18 | 23 | - | - | 10 | - | - | KOR3C | 2,20 | |
| | | G3/4 | 11 | 20 | 30 | - | - | 13 | - | - | KOR4C | 2,90 | |
|  | Zaślepka | G1/2 | 10 | 12 | 24 | - | - | - | - | - | ZAS2C | 2,40 | |
| | | G3/4 | 11,5 | 13,5 | 30 | - | - | - | - | - | ZAS3C | 3,20 | |
|  | Przedłużka | G1/2 | 10 | 8,5 | 10 | - | - | - | - | 10 | P10C | 2,60 | |
| | | G3/4 | 12 | 8 | 10 | - | - | - | - | - | 10 | P110C | 3,60 |
| | | G1/2 | 10 | 12 | 15 | - | - | - | - | - | 15 | P15C | 3,20 |
| | | G3/4 | 12 | 13 | 15 | - | - | - | - | - | 15 | P115C | 4,10 |
| | | G1/2 | 10 | 12 | 20 | - | - | - | - | - | 20 | P20C | 3,80 |
| | | G3/4 | 12 | 15 | 20 | - | - | - | - | - | 20 | P120C | 5,00 |
| | | G1/2 | 10 | 12 | 25 | - | - | - | - | - | 25 | P25C | 4,30 |
| | | G3/4 | 12 | 15 | 25 | - | - | - | - | - | 25 | P125C | 5,90 |
| | | G1/2 | 10 | 12 | 30 | - | - | - | - | - | 30 | P30C | 5,10 |
| | | G3/4 | 12 | 15 | 30 | - | - | - | - | - | 30 | P130C | 6,90 |
| | | G1/2 | 10 | 12 | 40 | - | - | - | - | - | 40 | P40C | 6,50 |
| | | G3/4 | 12 | 15 | 40 | - | - | - | - | - | 40 | P140C | 8,40 |
| | | G1/2 | 10 | 12 | 50 | - | - | - | - | - | 50 | P50C | 7,80 |
| G3/4 | 12 | 15 | 50 | - | - | - | - | - | 50 | P150C | 9,90 | | |